

# User guide

**POS terminal KT-S600**

Copyrights © 2023 Kingtop Corp. All rights reserved. The information contained in this document is subject to change without notice and should not be construed as a commitment by Kingtop Corp.

## **Patents and Licenses**

For a complete list of all Kingtop Corp. patents, visit <https://www.kingtoptec.com/contact>

## **Software License**

Proprietary Rights Provisions:

The software drivers provided with this product are copyrighted by Kingtop Corp. and/or Kingtop Corp.' suppliers. Although copyrighted, the software drivers are unpublished and embody valuable trade secrets proprietary to Kingtop Corp. and/or Kingtop Corp. suppliers. The disassembly, decompilation, and/or Reverse Engineering of the software drivers for any purpose is strictly prohibited by international law. The copying of the software drivers, except for a reasonable number of back-up copies is strictly prohibited by international law. It is forbidden by international law to provide access to the software drivers to any person for any purpose other than processing the internal data for the intended use of the software drivers.

## **Trademarks and Service Marks**

Kingtop Corp. is a trademark of Kingtop Corp., and the other trademarks, logos, and service marks (collectively the “Trademarks”) used in this user manual are the property of Kingtop Corp. or their respective owners. Nothing contained in this user manual should be construed as granting by implication, estoppel, or otherwise, a license or right of use of Kingtop Corp. or any other Trademark displayed in this user manual without the written permission of Kingtop Corp. or its respective owners.

- Kingtop Corp., and the Kingtop Corp. logo are all trademarks of Kingtop Corp.

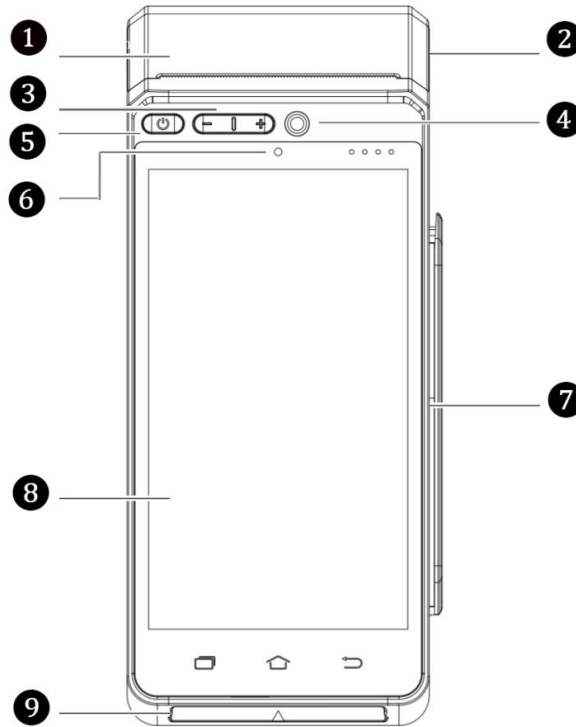
The names of actual companies and products mentioned in this user manual may be the trademarks of their respective owners.

# Contents

1. About Your POS Terminal .....	- 1 -
Front view .....	- 1 -
Back view .....	- 2 -
2. Operating Instructions .....	- 3 -
Turning your POS terminal on/off .....	- 3 -
Magnetic stripe card .....	- 3 -
Contact IC card .....	- 3 -
Contactless IC card .....	- 4 -
Install the printer paper .....	- 4 -
Tear paper .....	- 5 -
Install the SIM/PSAM card .....	- 6 -
Insert the battery .....	- 6 -
Charge your device .....	- 7 -
3. Precautions .....	- 7 -
Safety Warning .....	- 7 -
Important safety instructions .....	- 7 -
Suggestions .....	- 8 -
Declaration .....	- 8 -
Disclaimer .....	- 8 -
4. Proper Battery Use and Disposal .....	- 9 -
5. Limited Warranty and liability .....	- 9 -

# 1. About Your POS Terminal

## Front view



**① NFC reader** —— For Proximity card, membership card

**② Paper silo cover** —— Protecting and Cutting Thermal Paper

**③ Volume buttons** —— Adjust the volume level

**④ Front camera** —— Supports photographing and 1D/2D code quick scanning

**⑤ Power on/off button** ——

Short press: wake up the screen, lock the screen.

Long press: long press for 2-3 seconds in power off mode to switch on the device.

Long press for 2-3 seconds in normal operation mode to select power off or reboot.

Long press for 11 seconds when system is frozen for automatic reboot.

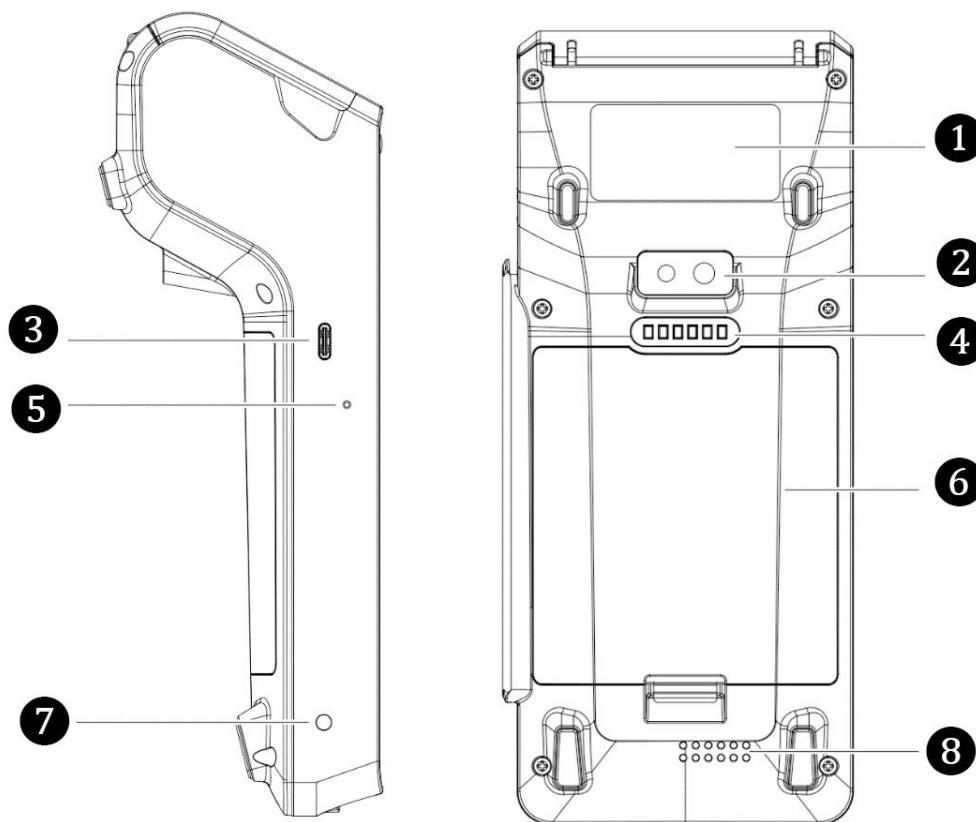
**⑥ Light sensor** —— Automatically adjusts the two degrees of the display

**⑦ MSR card reader** —— Used for reading the information stored in the magnetic stripe of bank card

**⑧ Display screen** —— Used to display product information and other functions

**⑨ ICCR Card reader** —— Used for inserting the bank chip card

## Back view



- ❶ **Label/Sticker** —— For custom logos and labels
- ❷ **Rear camera** —— Supports photographing and 1D/2D code quick scanning
- ❸ **Type-C USB** —— Used for charging equipment and debugging by developers
- ❹ **Pogo pin** —— Used as a charging function
- ❺ **MIC** —— Support for recording external voices
- ❻ **Battery cover** —— It can be disassembled, battery can be replaced
- ❼ **Audio port** —— External headphones are available
- ❽ **Speaker** —— Broadcast payment status

## 2. Operating Instructions

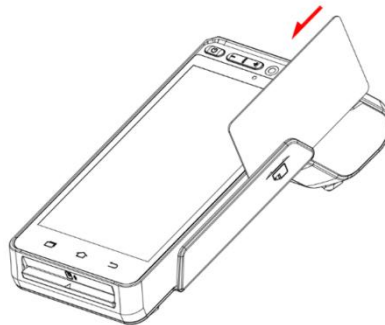
### Turning your POS terminal on/off

**Power on:** Press the "heart" button on the left side of the POS machine for 2-3 seconds, and the POS machine will start booting

**Power off:** Press and hold the "heart" key in the power on state, the screen displays "shutdown, restart airplane mode, silent mode", select "shutdown", and "Your smart terminal will shut down, **[Cancel]** and **[OK]** Picture. At this point, press the **[OK]** key to complete the shutdown.

### Magnetic stripe card

When you swipe the card, please slide the magnetic stripe of the magnetic card towards the inside of the device and across the magnetic track (as shown in the figure), the process should be smooth and at an even speed.



Magnetic stripe facing the inside of the device

#### **[Note]**

If the track of the magnetic stripe card is damaged or the card is swiped incorrectly, the transaction may fail.

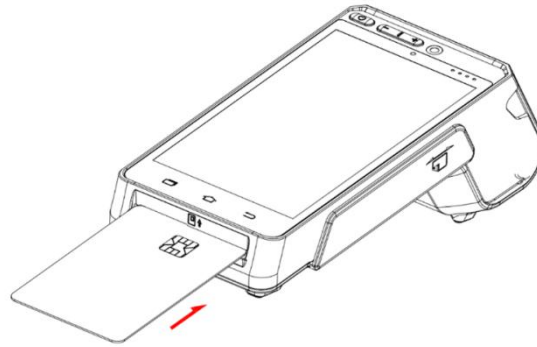
### Contact IC card

The IC card slot is located on the right side of the machine. When inserting the card, hold the IC card without the end of the chip, the chip side is facing up, insert the IC card into the card

slot and push it to the end. The IC should be kept stuck in the card slot throughout the transaction. As shown in the picture :

**[Note]**

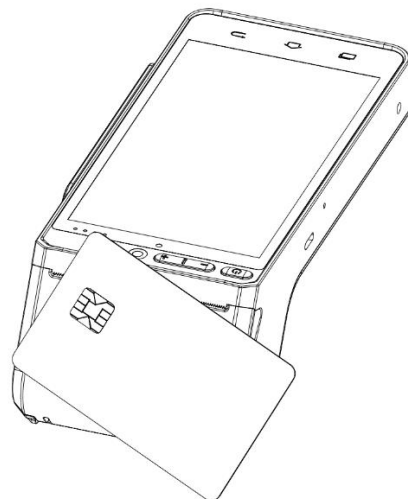
If the chip contacts of the IC card are damaged or oxidized, the transaction may fail.



Chip card facing inside the device

## Contactless IC card

When you swipe the card, please put the IC card close to the center of the screen and stay for about 1s. When you hear a "beep", it indicates that the card is swiped successfully, and you can remove the card. As shown in the picture:



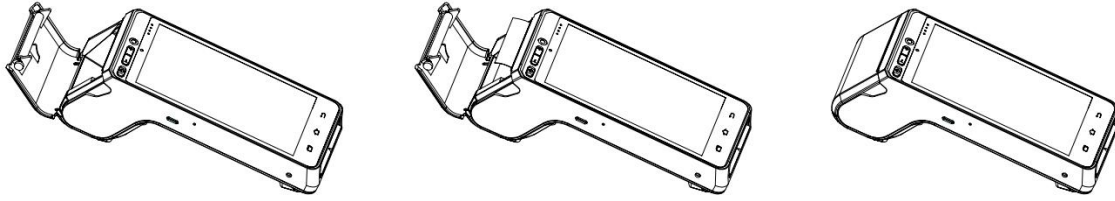
IC card near the center of the NFC reader

## Install the printer paper

- ❶ Step1. Buckle the edge of the paper compartment cover, and open the paper compartment cover in the direction shown.
- ❷ Step2. Peel off the printing paper, pull one end of the printing paper, align the paper compartment in the direction shown in the figure, and leave a small section of paper above the

paper cutter

③ Step3. Close the paper compartment cover in the direction shown in the illustration.



① Open the paper cover

② Put the thermal paper

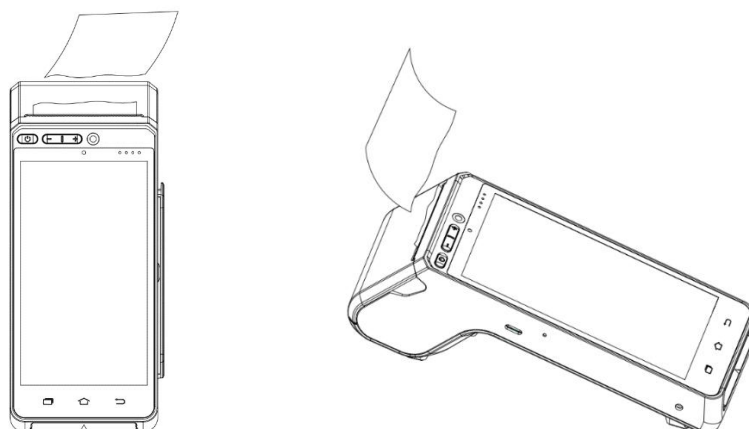
③ Close the paper cover

### [Note]

When loading thermal paper, please pay attention to the direction of the paper, and follow the instructions in the illustration to turn the paper roll open side down, otherwise characters cannot be printed.

## Tear paper

Pinch the protruding part of the print paper with your hand and tear the paper in the direction shown in the illustration(downwards). Try to keep the force even and fast during the paper cutting process.



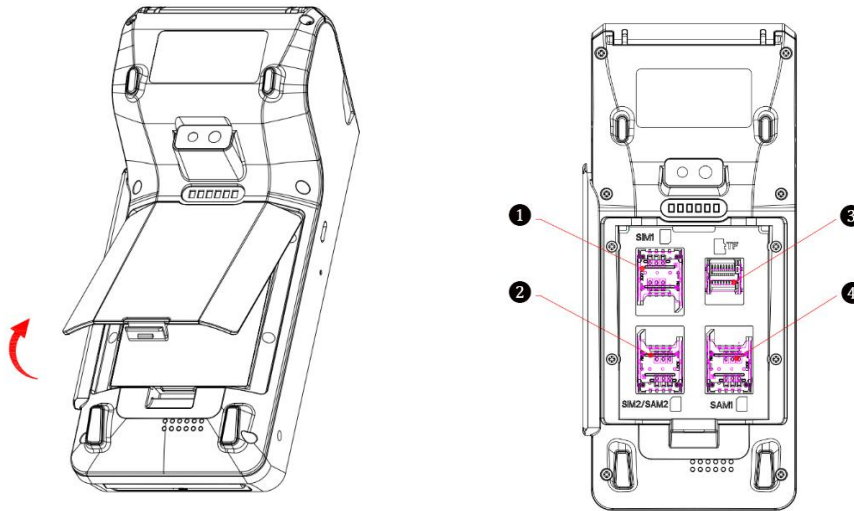
Tear Paper Down



## Install the SIM/PSAM card

Step1: Power off and open the battery cover

Step2: After removing the battery, put the SIM/PSAM card into the card slot (the chip side faces the inside of the machine) . As shown in the picture:



NO.	Description	NO.	Description
❶	SIM1 Card Slot	❸	TF Card Slot
❷	SIM2/SAM2 Card Slot	❹	SAM1 Card Slot

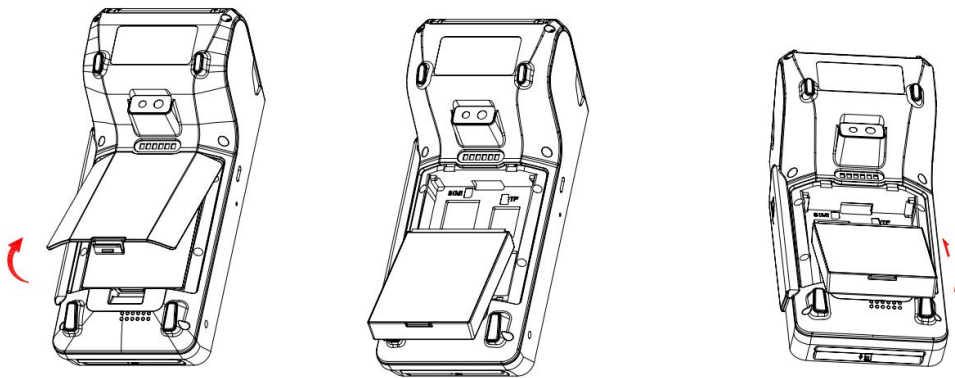
### [Note]

1. To install or remove the SIM/PSAM card, please ensure that the machine is turned off, otherwise the card may be damaged.
2. The SIM/PSAM card cannot be pasted with glue, stickers and other media that affect the thickness of the card, so as not to be able to smoothly load or remove the card.

## Insert the battery

Step1: Open the battery cover

Step2: Insert the battery into the battery compartment (the battery gripper faces the rear of the machine).



Battery gripper faces the rear of the machine

## Charge your device

Open the battery cover, put the rechargeable battery into the battery compartment, and close the battery cover. Connect the USB cable to the adapter or mobile power bank or PC. Type-C end is inserted into the port on the left side of the machine, and the adapter is plugged into the power outlet, after the power is turned on, the machine screen shows the charging progress, and the battery is fully charged "100" .

## 3. Precautions

### Safety warning

Please insert the AC plug into the AC outlet corresponding to the marked input on the accessory power adapter.

This is a Class A product. In living environments, this product may cause radio interference.

In this case, the user may be required to take practical measures against interference.

- Use only the battery supplied with the unit.
- Do not replace the battery when explosive gases are present.
- Do not charge in hazardous locations.

### Important safety instructions

- Avoid installation or use during lightning, otherwise there is a risk of being struck by

lightning.

- When you find abnormal smell, overheating or smoke, please cut off the power immediately.
  - Do not touch the tear-off knife as it is sharp!
  - When you find residual glue on the label print head, you can do the following maintenance.
  - The device will be turned off, use cotton swabs or non-woven dipped in 75% concentration of alcohol wipe the print head, wait for the alcohol to dry and then turn on again.
- [Note]** Do not use hard objects or sharp objects, otherwise it will damage the print head.

## Suggestions

- Do not use in extreme cold or hot environments, such as near a fire or a lit cigarette.
- Do not drop, throw or bend the printer.
- Use in a clean and dust-free environment to avoid small objects falling into the terminal.
- Do not use in the vicinity of medical equipment without permission.

## Declaration

Our company is not responsible for the following actions:

- Damage caused by not using and maintaining the device under the conditions described in this guide.
- For damage or problems caused by options or consumables (other than the original or approved products provided by the Company).

(No modification or change of the product is authorized without our consent)

- The operating system of this product supports official system updates. If the user brushes a third-party ROM system or modifies the system files by cracking, it may lead to system instability, as well as security risks and security threats.

## Disclaimer

Due to the update of the product, some details of this document may not match the product, please refer to the actual product, the interpretation of this document belongs to our company.

We reserve the right to modify this manual without prior notice.

---

## 4. Proper Battery Use and Disposal

**[IMPORTANT]** In event of a battery leak:

- Seek medical advice immediately if a battery has been swallowed.
- Communicate the appropriate steps to be taken if a hazard occurs. Due to the transmission and reception properties of wireless communications, data occasionally can be lost or delayed.
- Please review the following guidelines for safe and responsible battery use.
- Do not disassemble or open, crush, bend or deform, puncture, or shred.
- Do not modify or re-manufacture, attempt to insert a foreign object into the battery, immerse or expose to water or other liquids, or expose to fire, explosion, or other hazard.
- Only use the battery for the system for which it was specified.
- Only use the battery with a charging system that has been qualified with the system per this standard. Use of an unqualified battery or charger may present a risk of fire, explosion, leakage, or other hazard.
- Do not short circuit a battery or allow a metallic or conductive object to contact the battery terminals.
- Replace the battery only with another battery that has been qualified with the system per this standard. Use of an unqualified battery may present a risk of fire, explosion, leakage, or other hazard.
- Promptly dispose of used batteries in accordance with local regulations.
- Battery usage by children should be supervised.
- Avoid dropping the POS or battery. If the POS or the battery is dropped, especially on a hard surface, and the user suspects damage, take it to a service center for inspection.
- Improper battery use may result in a fire, explosion, or other hazard.

## 5. Limited Warranty and Liability

Kingtop Corp. warrants for the 12-month period immediately following receipt of the Product by Purchaser that the Product will be free from defects in material and workmanship under normal use.

THESE WARRANTIES ARE EXPRESSLY IN LIEU OF ALL OTHER WARRANTIES,

---

EXPRESS OR IMPLIED, INCLUDING, WITHOUT LIMITATION, ALL IMPLIED WARRANTIES OF MERCHANTABILITY AND FITNESS FOR A PARTICULAR PURPOSE.

The exclusive remedy for a claim under this warranty shall be limited to the repair or replacement, at KINGTOP CORP' option, of defective or non-conforming materials, parts or components. The foregoing warranties do not extend to

(I) non conformities, defects or errors in the Products due to accident, abuse, misuse or negligent use of the Products or use in other than a normal and customary manner, environmental conditions not conforming to KINGTOP CORP' specification, of failure to follow prescribed installation, operating and maintenance procedures,

(II) defects, errors or nonconformities in the Product due to modifications, alterations, additions or changes not made in accordance with KINGTOP CORP' specifications or authorized by KINGTOP CORP,

(III) normal wear and tear,

(IV) damage caused by force of nature or act of any third person,

(V) shipping damage,

(VI) service or repair of Product by the purchaser without prior written consent from KINGTOP CORP,

(VII) products designated by KINGTOP CORP as beta site test samples, experimental, developmental, reproduction, sample, incomplete or out of specification Products, or

(VIII) returned products if the original identification marks have been removed or altered.

## 6. Package Contents

Please carefully open the packaging of the POS terminal and count the accessories according to the table below. It is recommended that you keep the packaging and packaging materials:

No.	Configure	Quantity
1	POS terminal KT-S600	1 pcs
2	User guide	1 pcs
3	Power adapter	1 pcs
4	Type-C cable	1 pcs
5	Packing box	1 pcs
6	Warranty card	1 pcs